

TR2-1, TR2-2, TR2-3 & TR2-4 UV Systems

Swimming Pool Disinfection

UV

The TR2 series of ultraviolet units are designed to provide residential swimming pools and spas with a cost effective UV system for disinfection and improved water quality.

APPLICATIONS

- Swimming Pools and Spas
- Ponds
- Water Features

MAIN CHARACTERISTICS

- Easy to install and operate, suitable for both indoor and outdoor installation

MAIN FEATURES

- Low pressure UV
- Low capital and electrical running costs
- 18 month UV lamp life
- Reduction in chemical requirement
- Improved algae control
- 100% corrosion resistant UV inhibited polymeric reactor vessel
- Automatic pre-set internal flow sensor switch shuts down on no flow
- Centre ring indicates lamps are operational when switched on

UV TECHNOLOGY

The TR2 range is designed for disinfection of residential pool and spa water and provides cost effective treatment and improved water quality. Two, three or four low pressure UV lamps are incorporated, treating flows of up to 40 m³/h with a UV dose of 30 mJ/cm².

This dose is sufficient for disinfection of the water, providing complementary protection against chlorine resistant organisms, as well as enhanced algae control. UV treatment is compatible with all other sanitisers, including chlorine, bromine, active oxygen, peroxide and copper based compounds, and allows for the levels of these to be significantly reduced. UV treatment introduces no by-products into the water, but also has no residual effect. Therefore a small background level of disinfectant should always be maintained.

TR2 systems have a small footprint and low power consumption. They are easily installed, having selectable inlet and outlet positions.

HOW IT WORKS

The TR2 range utilises high output, low pressure UV lamps which are powered by electronic ballasts housed within the reactor top cap.

The 2" PVC inlet and outlet unions allow easy connection onto existing or new PVC pipework systems.

As water travels through the unit it is sanitised by a protective UV dose from the lamp.



TECHNICAL DATA TR MODEL	UV Lamp		Flowrate		Supply Voltage	Supply Rating
	Number	W	m ³ /h	US gpm	V/ ph/Hz	A
TR2-1	1	58	11	52	230/1/50-60	0.24
TR2-2	2	116	22	99	230/1/50-60	0.48
TR2-3	3	174	32	140	230/1/50-60	0.73
TR2-4	4	232	40	178	230/1/50-60	0.97

The above flow rate is base on UV dose of 30mj/cm2 at end of lamp life.
Units are supplied with a 2.4 meter long power cable length as standard.

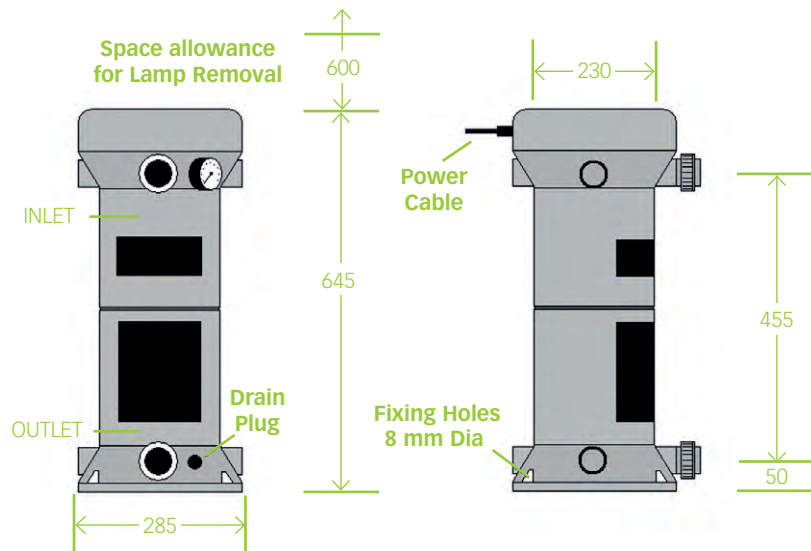
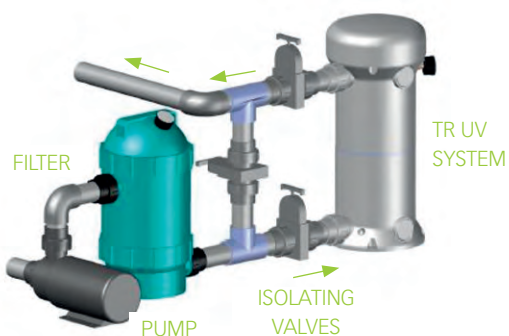
DIMENSIONS TR MODEL	Empty Weight		Operating Weight		Shipping Weight		Carton Size	
	kg	lbs.	kg	lbs.	kg	lbs.	cm	in.
TR2-1-2-3-4	8.2	18	21.3	47	11.3	25	33 x 33 x 81.3	13 x 13 x 32

TECHNICAL FEATURES

- Pressure Switch
- Pressure Gauge
- Selectable Inlet / Outlet Configurations
- CE Approved

MATERIALS

- UV Reactor Body: UV inhibited polymer
- Inlet/outlet: uPVC unions



CONTACT

TRIOGEN Ltd
Unit 14 Langlands Place
East Kilbride G75 0YF
Scotland, United Kingdom
Tel: + 44 (0) 13 55 220 598
Fax: + 44 (0) 13 55 570 058
www.triogen.com
info@triogen.com

your local distributor: