



QUALITY

LOW-COST

VERSATILITY

PERFORMANCE

← Applications

- Drinking water treatment
- Effluent treatment
- Process related use

← Main characteristics

- Advanced technology
- Fully assembled and tested
- Compact dimensions



The OZAT® CFV ozone generators incorporate Ozonia's patented "Advanced Technology" dielectric segments together with a state-of-the-art IGBT power supply unit.

MAIN FEATURES

- Production rates from 0.75 to 8.97 kgO₃/h from air
- High ozone concentration at full-load
- Robust industrial quality for reliability and long service life
- Skid mounted with a small footprint for easy integration
- Low maintenance and service personnel requirement
- Choice of PLC with user friendly interface and optional bus
- Water cooled horizontal vessel type ozone generator
- The OZAT® CFV is also available for oxygen feed gas

OZAT® CFV SPECIFIC TECHNOLOGY

The CFV range is Ozonia's latest development of generators for medium-sized ozone applications. The design is based on feedback from hundreds of operators and includes the latest technology to ensure continuous operation at full-load in industrial environments. A feature of the larger units is the fused dielectric tubes which makes them particularly suitable for remote service in drinking water plants.

An OZAT® CFV unit is integrated from the ozone generator, the power supply for the high voltage medium frequency supply to the generator, PLC control, process related control equipment and skid interconnections. The PLC system and optional bus ensures flexible operation and allows integration into all types of plant concepts.

HOW IT WORKS

Ozone, the triatomic form of oxygen, is generated by recombining oxygen atoms with oxygen molecules. This process takes place in the gap between the dielectric layer on the high voltage electrode and an earth electrode in the ozone generator vessel. When high voltage is applied to this arrangement a silent electrical discharge occurs in the gap which excites the oxygen molecules in the feed gas flowing through the gap which causes them to split and combine with other oxygen molecules to form ozone.

Product Highlights

- High performance
- Compact versatile skid
- Low-cost
- High ozone concentration
- Low specific power
- User friendly
- Easily integrated
- Low service requirement

TECHNICAL DATA

OZAT® CFV Model	Ozone Production kg/h	Ozone Concentration wt%	Outlet Pressure bar(g)	Dry Air Requirement Nm³/h	Cooling Water m³/h	Power Consumption kW
CFV-02	0.75	3	< ~1.5	19.3	1.9	14
CFV-03	1.12	3	< ~1.5	29.0	2.8	20
CFV-04	1.50	3	< ~1.5	38.7	3.7	26
CFV-05	2.27	3	< ~1.5	58.6	5.6	39
CFV-10	4.65	3	< ~1.5	120.0	11.5	78
CFV-15	7.04	3	< ~1.5	176.0	17.4	118
CFV-20	8.97	3	< ~1.5	231.0	22.0	151

The recommended concentration range can be selected between 3wt% and 5wt%.

► Standards

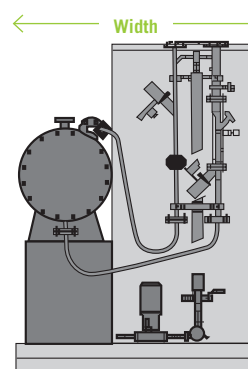
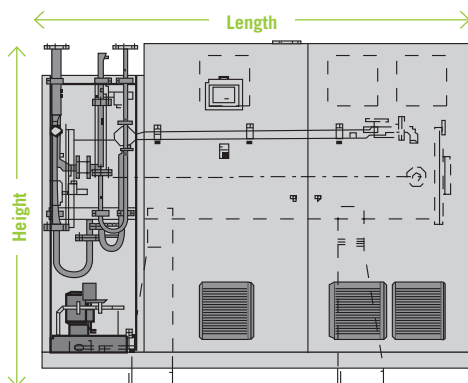
- **Design standards:** EN, IEC, ISO, SN
- **Protection class:** IP 42
- **Conformity:** CE

► Materials

- **Enclosure:** powder coated mild steel
- **In contact with ozone:** ANSI 316, PTFE, PVDF, Viton
- **In contact with water:** PE, brass, ANSI 304/316

DIMENSIONS

OZAT® CFV Model	I x h x w	Weight
	mm	kg
CFV-02	2000 x 2000 x 1150	~750
CFV-03	2000 x 2000 x 1150	~850
CFV-04	2000 x 2000 x 1150	~950
CFV-05	2500 x 2000 x 1500	~2000
CFV-10	2900 x 2000 x 1900	~2050
CFV-15	2900 x 2000 x 1900	~2900
CFV-20	2900 x 2000 x 1900	~3000



Technical Features

- Ambient temperature: +5...40°C
- Design altitude: < 1000m.a.s.l.
- Humidity: RH < 65% (yearly average)
- Voltage: 3 x 360...495 VAC
- Frequency: 50 / 60 Hz
- Feed gas inlet pressure: 3 to 8 bar (g)
- Cooling water pressure: 2 to 6 bar (g)
- Cooling water inlet temp: 20°C / 68°F

► Remote controls and alarms

- Supply ON/OFF
- RESET
- Gas valves OPEN
- Enable REMOTE
- Production STOP
- Collective ALARM

► Options

- Choice of PLC (Siemens, Allen Bradley, Schneider)
- Bus system (Profibus, Modbus, Ethernet, DeviceNet)
- Power-cut and lightning protection

Contacts

www.DEGREMont-TECHNOLOGIES.COM

Ozonía International Ozone	• info-ozoniaCH@degtec.com	• + 41 44 801 8511
Ozonía France	• info-ozoniaFR@degtec.com	• + 33 1 46 253 950
Ozonía North America	• info-ozonia@degtec.com	• + 1 201 676 2525
Ozonía Triogen UK	• info-triogen@degtec.com	• + 44 141 810 4861
Ozonía Russia OOO	• info-ozoniaRU@degtec.com	• + 7 831 434 1628
Ozonía Korea	• info-ozoniaKR@degtec.com	• + 82 31 701 9036
Ozonía China	• info-china@degtec.com	• + 86 10 659 73 860
Ozonía Japan	• info-japan@degtec.com	• + 81 3 544 46 361

Your local distributor: